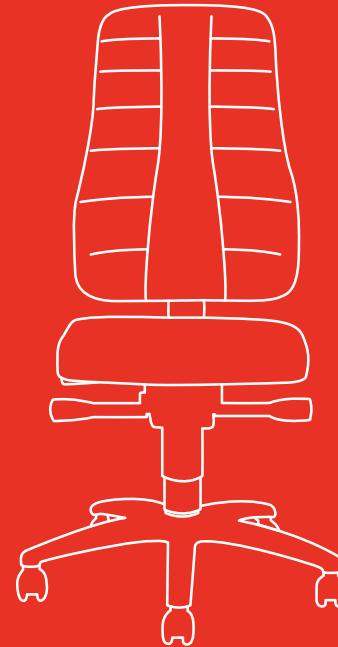


TRESTON

Treston Plus
Treston Plus ESD

C40AL
C40BL
C40AL-ESD
C40BL-ESD

Ident. - Nr. 53807.0000.03



Assembly and operating instructions
Montage- und Bedienungsanleitung
Instructions de montage et mode d'emploi
Asennus- ja käyttöohjeet
Monterings- och bruksanvisning
Инструкция по сборке и эксплуатации

Treston Oy
Sorakatu 1, 20730 Turku Finland
Tel. +358 10 4469 11 · Fax +358 10 4469 789
sales@treston.com · www.treston.com



A



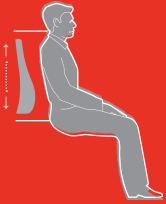
page 4 - 9



B



page 10 - 11



C



page 12 - 13



D



page 14 - 15



E



page 16 - 17



F



page 18 - 19



G



page 20 - 21



H



page 22



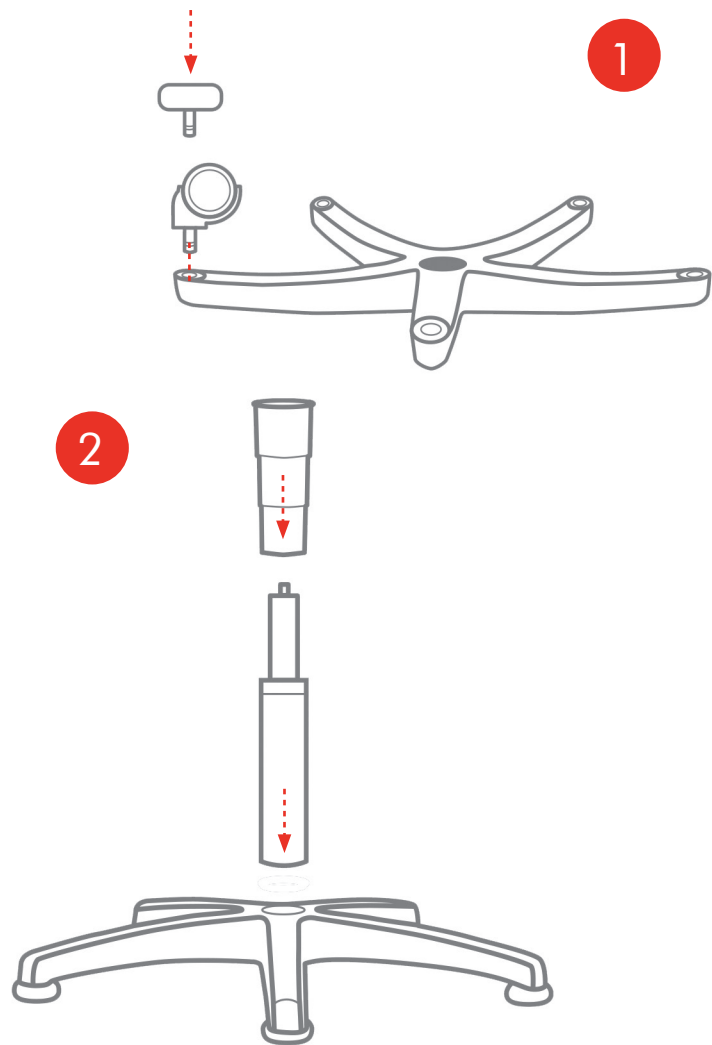
I



page 23

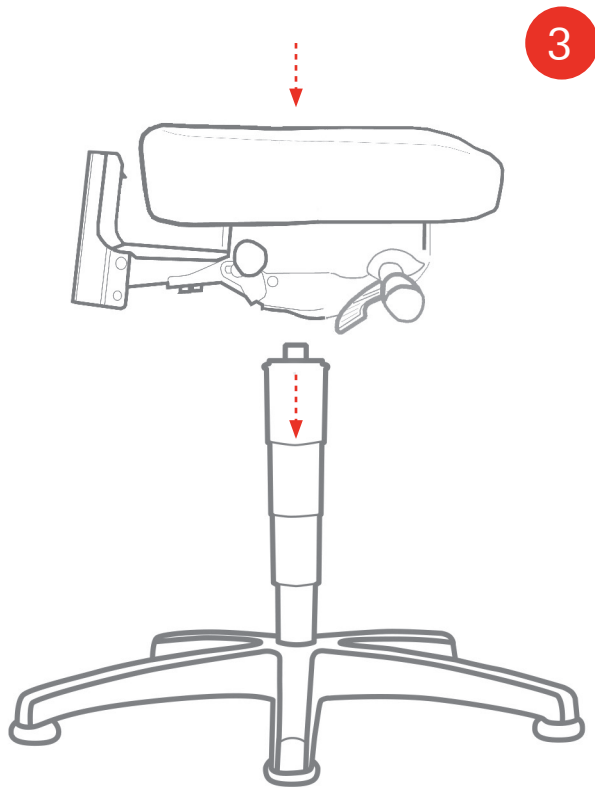


A

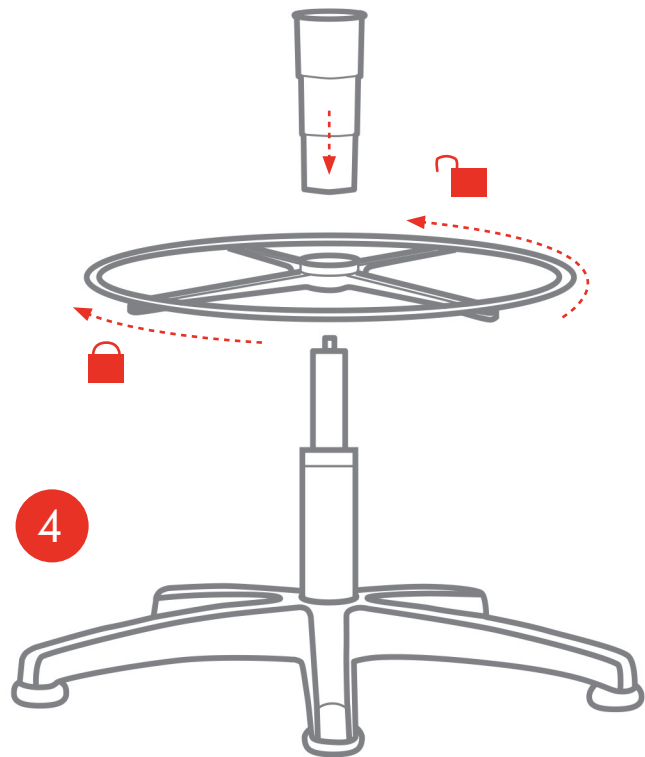


1

2

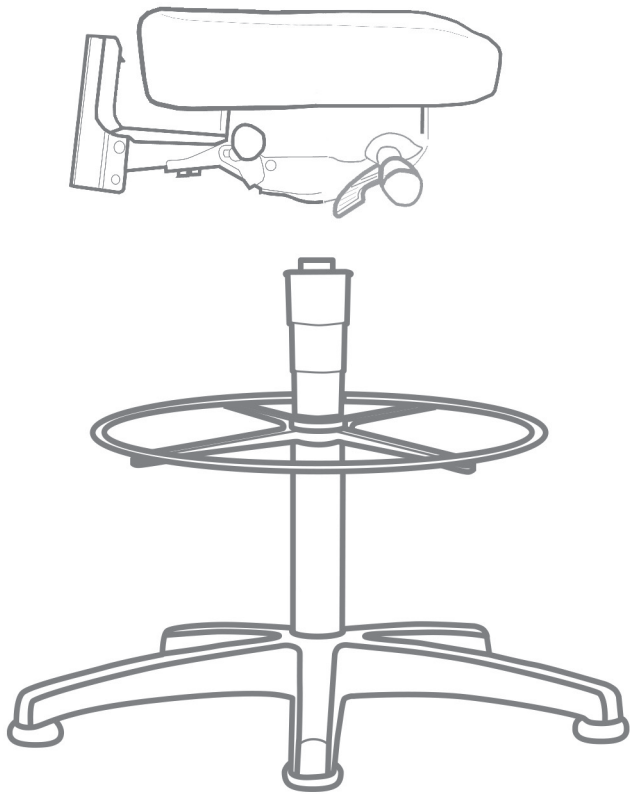


6



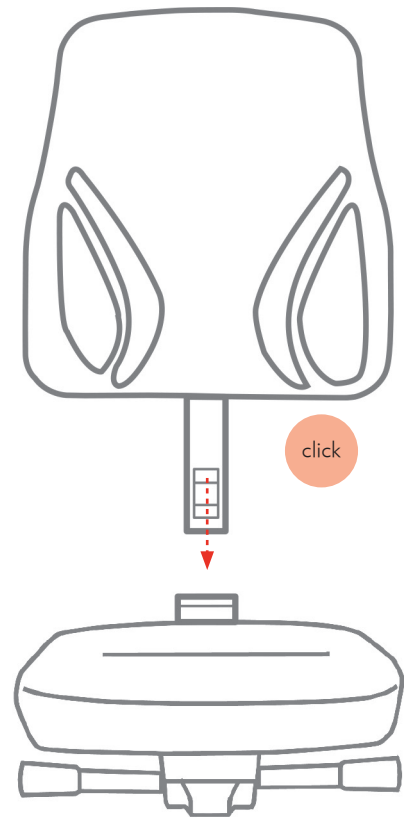
7

5

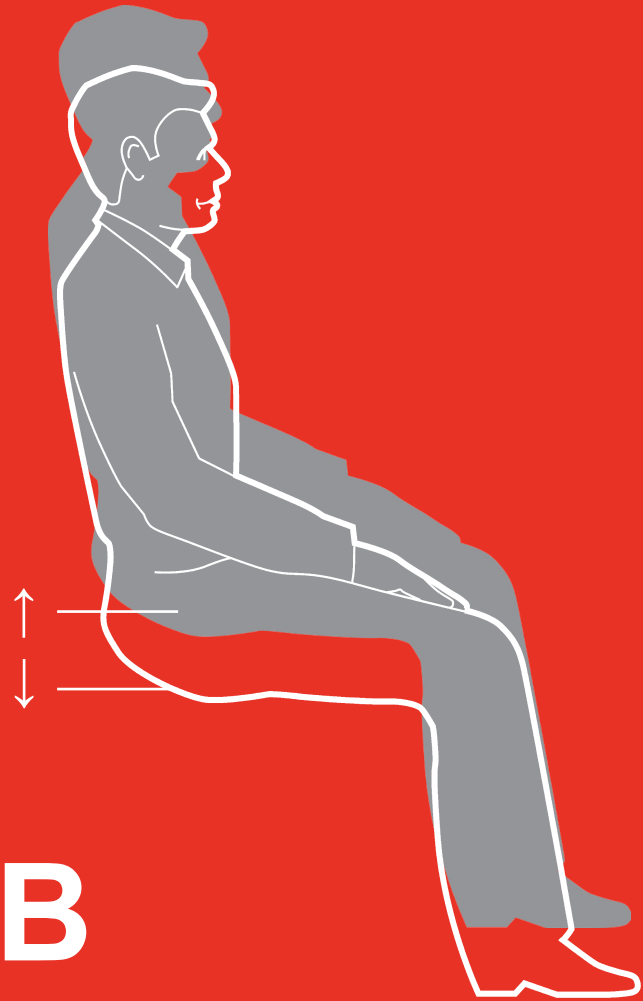


8

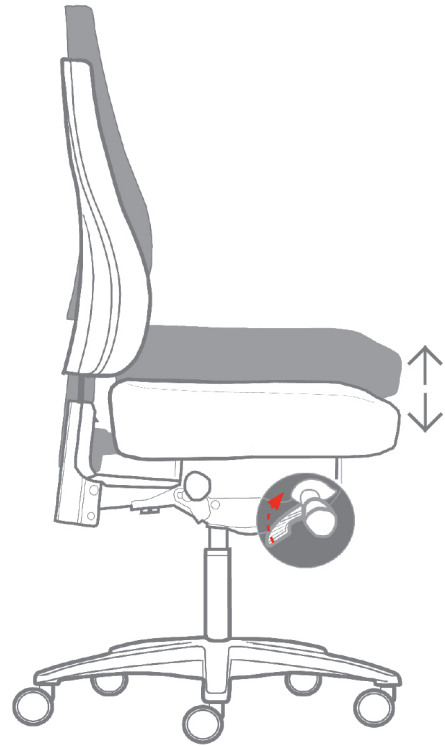
6

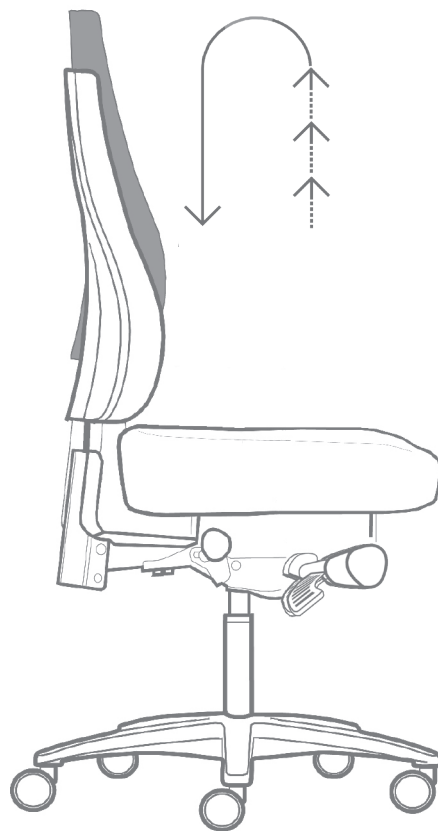


9



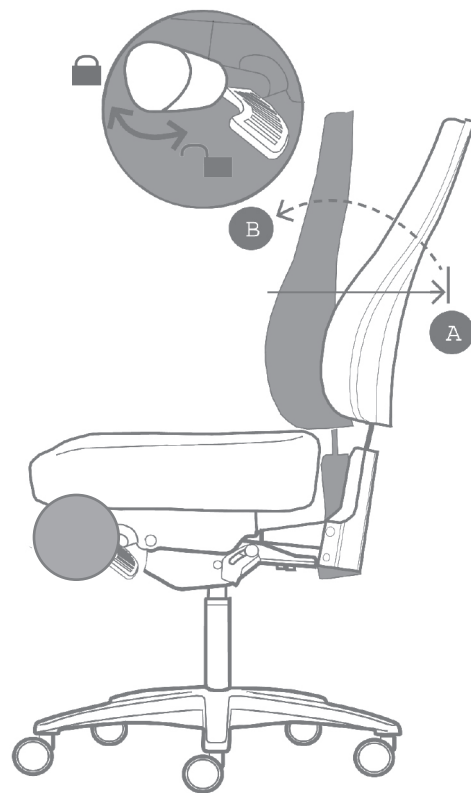
B

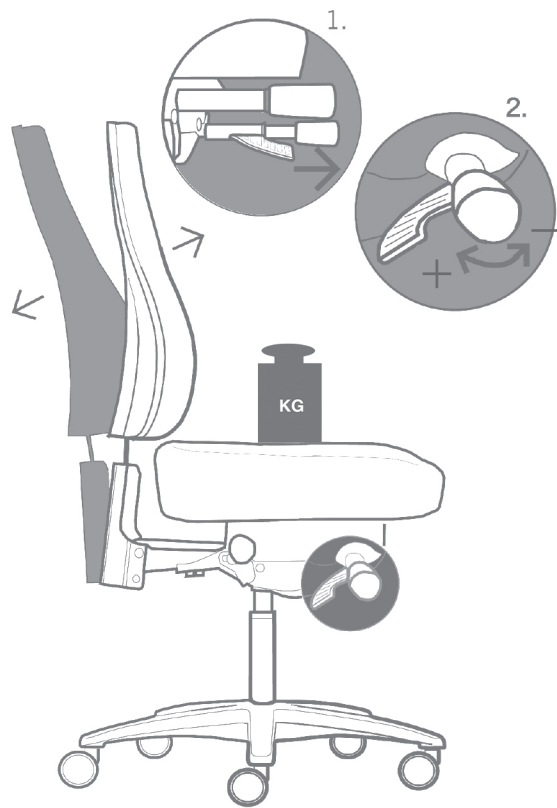


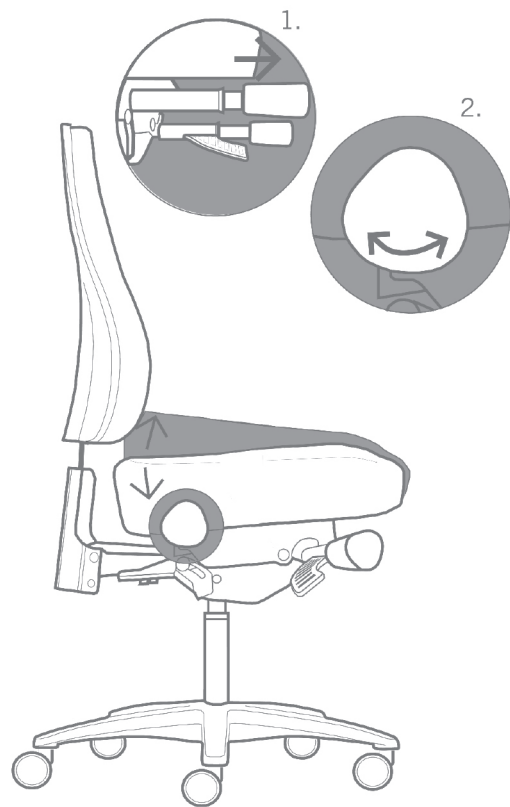
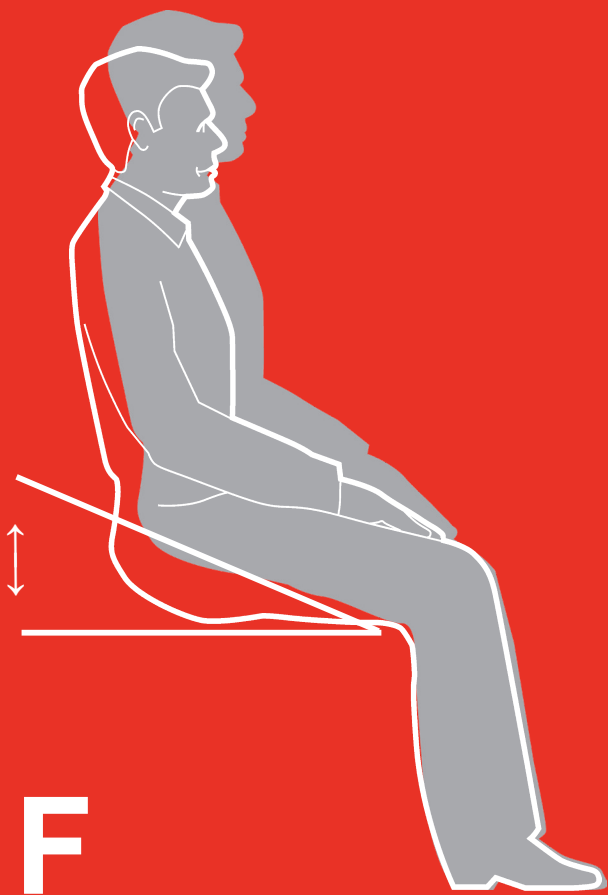


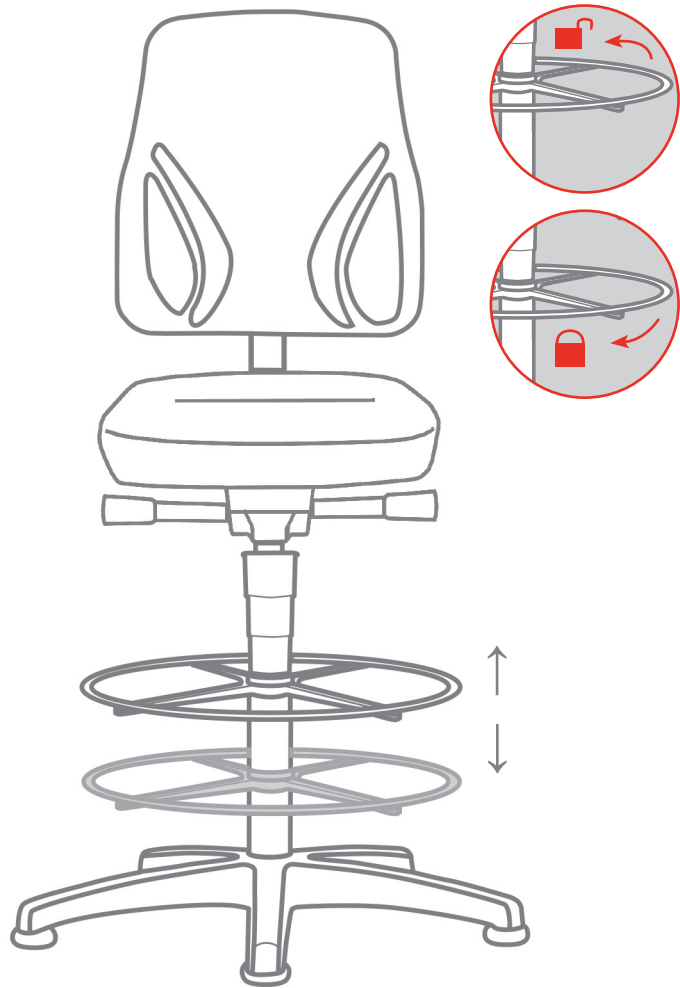
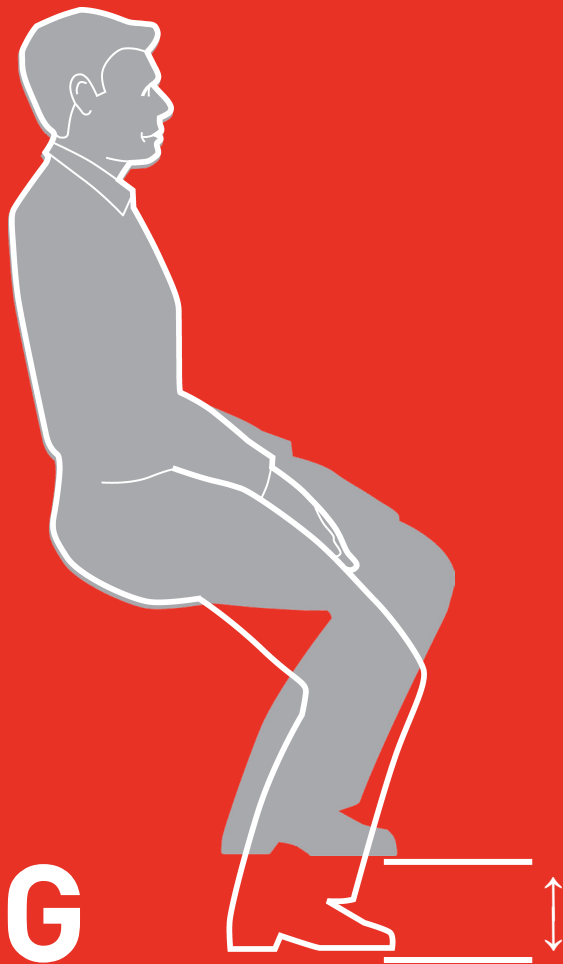


D









H



I



www.bimos.de/cleaning.html

DIN
68877



Garantie
10
Jahre

07/2016. Copyright © 2016 Treston.
All rights reserved. Specifications are subject to change without prior notice.