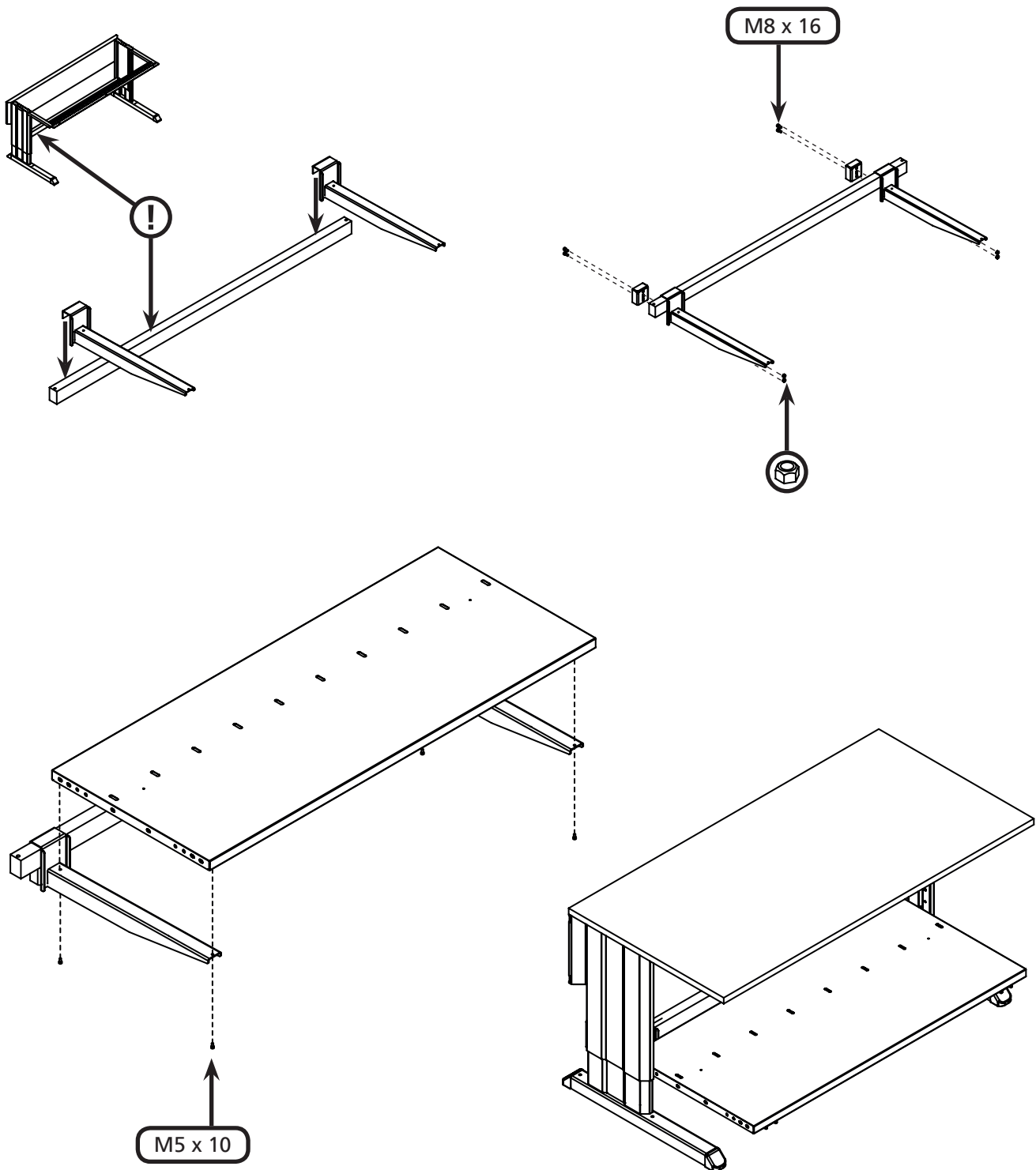


- FI SPMH kannakkeet Concept puumiin
EN SPMH brackets for Concept accessory bar



Treston Oy Head office
Sorakatu 1, FI-20730 TURKU
Tel. +358 10 4469 11
sales@treston.com treston.com



For detailed contact information, please visit:
<https://www.treston.com/contact-us>